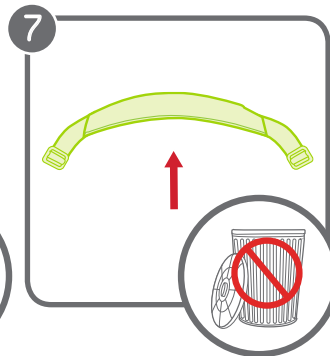
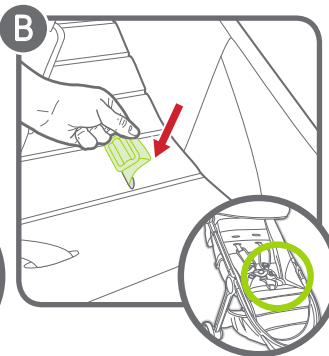
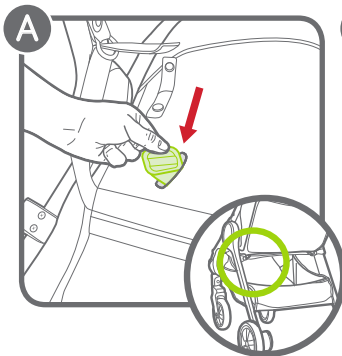
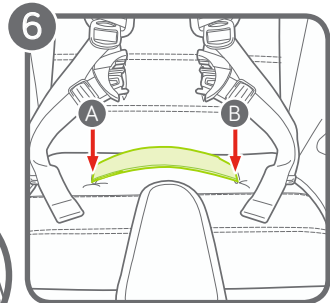
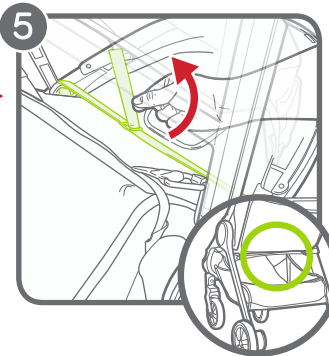
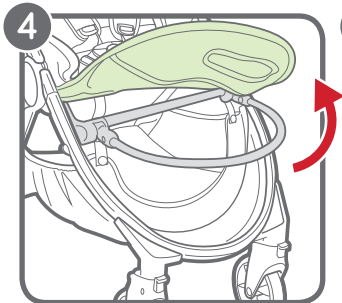
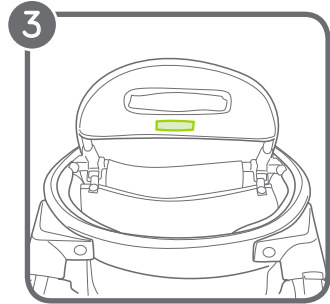
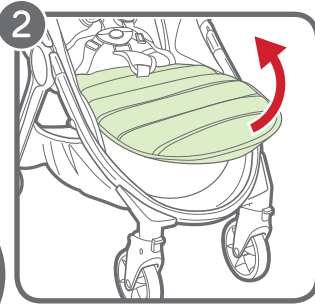
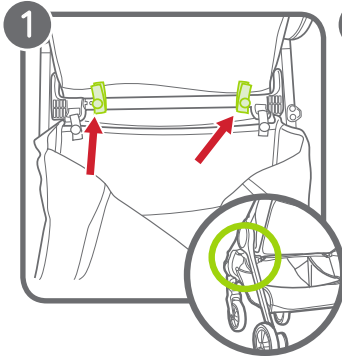
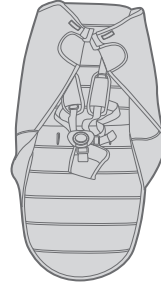
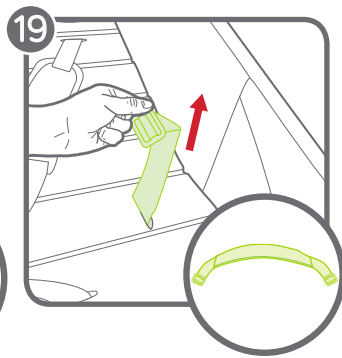
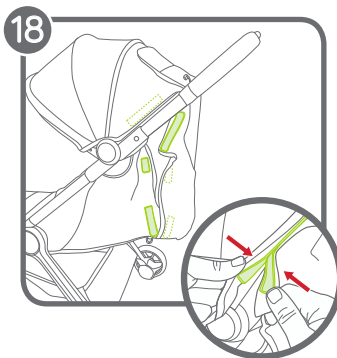
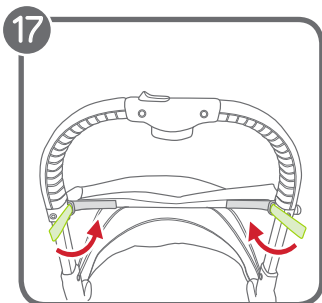
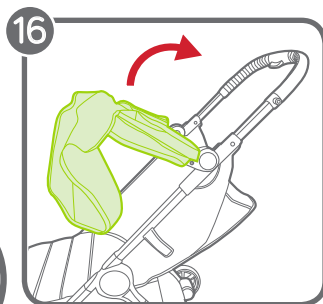
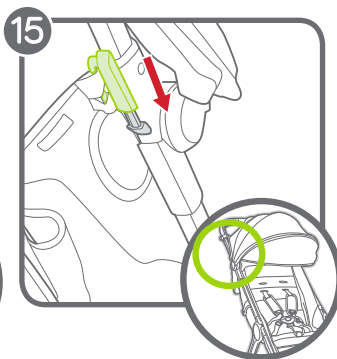
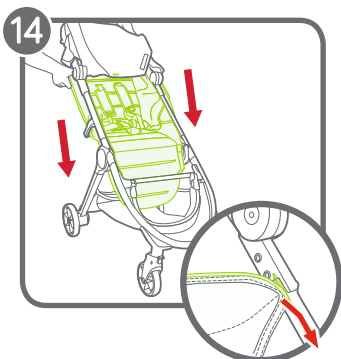
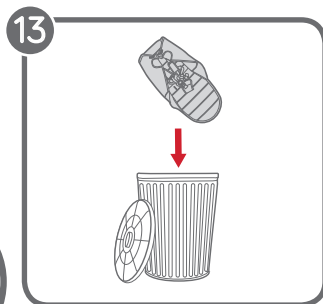
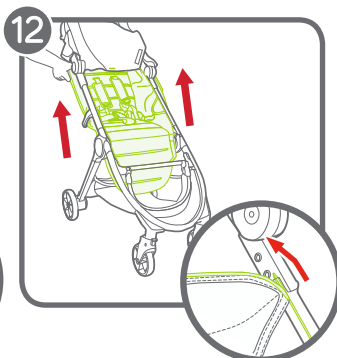
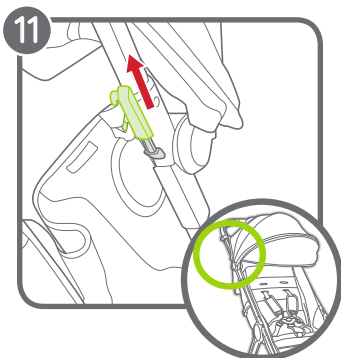
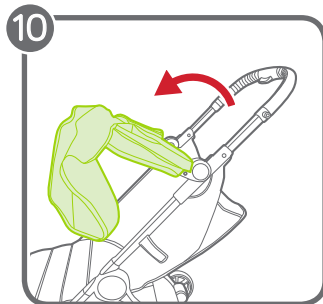
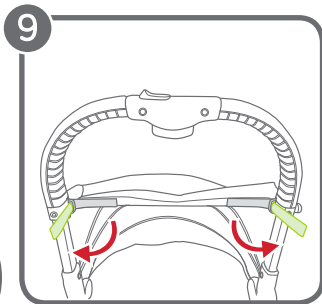
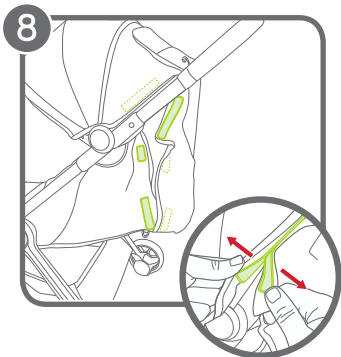


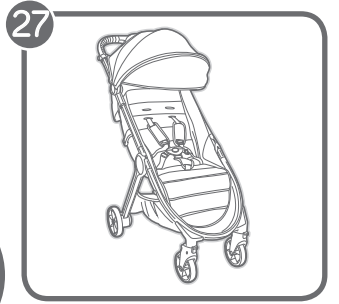
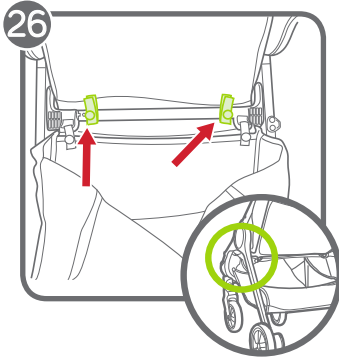
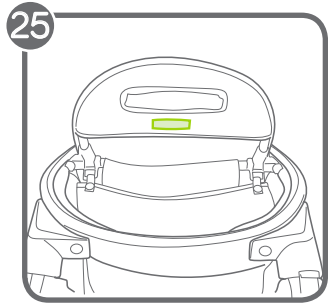
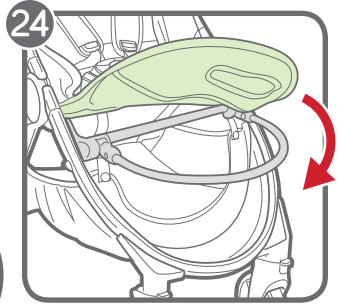
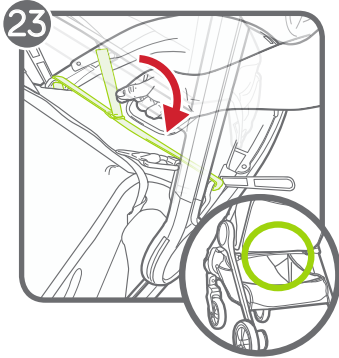
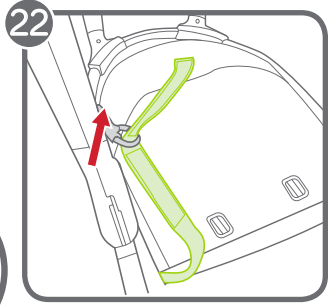
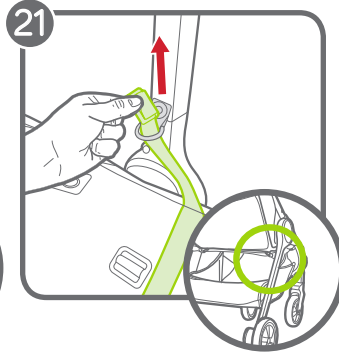
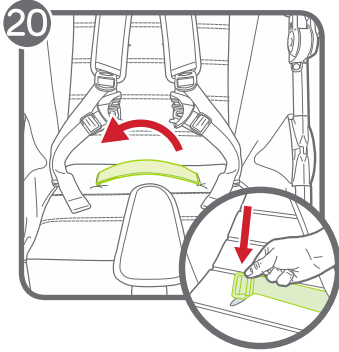
baby jogger®

seat replacement

CITY
TOUR™
2







baby
jogger[®]

newell
BRANDS

Baby Jogger, LLC

6655 Peachtree Dunwoody Rd. NE • Atlanta, GA 30328

1.800.241.1848 • www.babyjogger.com

Product of/Produit de:

Newell Europe Sarl

10 Chemin de Blandonnet • CH 1214 Vernier, Switzerland